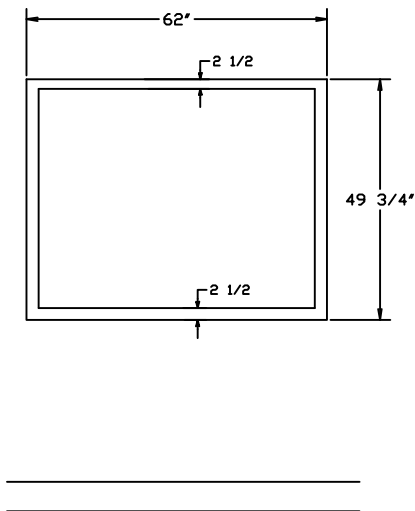
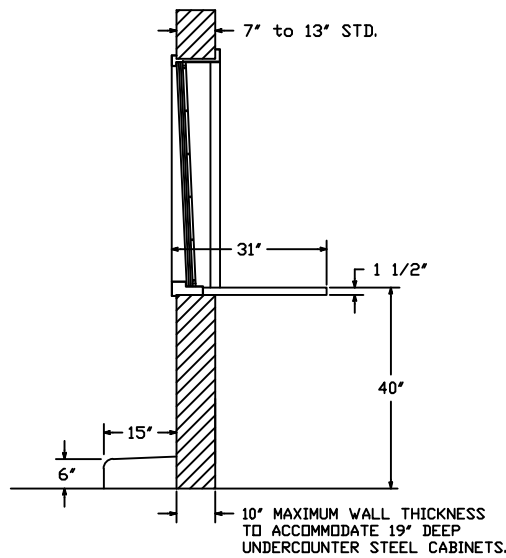


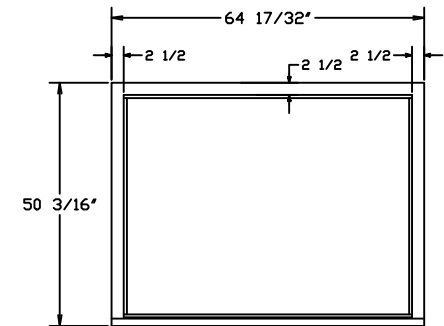
MASONRY OPENING - INTERIOR DETAIL



EXTERIOR ELEVATION



VERTICAL SECTION



117 VOLT 20 AMP DUPLEX OUTLET

INTERIOR ELEVATION

| | | | |
|---|---|--|-------------------------------|
| <p>est. 1967</p> <p>HAMILTON</p> <p>CUSTOM MADE SECURITY</p> | <p>PROPRIETARY AND CONFIDENTIAL THESE DRAWINGS ARE THE PROPERTY OF HAMILTON SAFE CO. AND SHALL NOT BE REPRODUCED, COPIED, USED AS THE BASIS FOR MANUFACTURE OR SALE OF APPARATUS WITHOUT PERMISSION</p> | <p>DESCRIPTION</p> <p>045V WINDOW U.L. LISTED</p> | |
| | | <p>DRAWING/MODEL NUMBER</p> <p>21-107</p> | <p>DATE</p> <p>10/26/2021</p> |